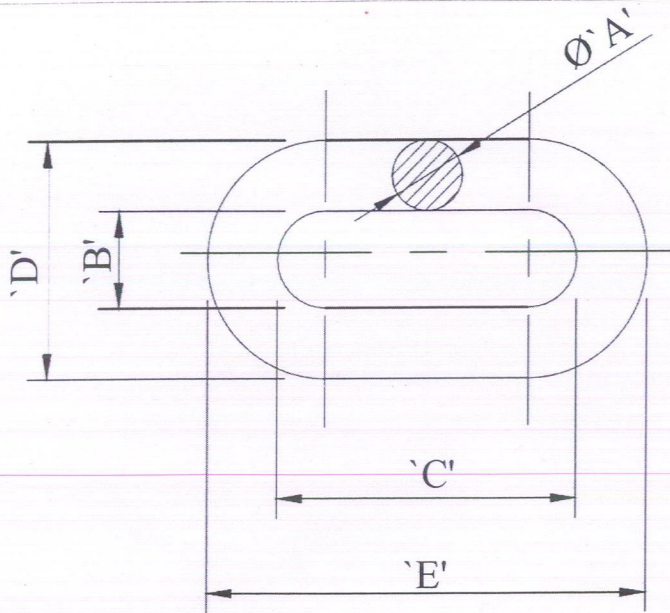


Item No	Item Title	Item Description	Item Quantity	Unit of Measure	Consignee ID	Delivery Period (In number of days)
2	2.01	SAP ITEMCODE : 1300000957 CHAIN LINK 6.5 TONNE CAPACITY HOT DEEP GALVANIZED WITH IDLR CERTIFICATE DIAMETER OF LINK - 28 MM +/- 1 MM INNER WIDTH = 40 MM +/- 1 MM INNER LENGTH = 110 MM +/- 1 MM OUTER WIDTH = 96MM +/- 1 MM OUTER LENGTH = 166 MM +/- 1 MM . Bifurcations of the dimension of chain links are as given below : 7 metres x 16 nos. = 112 metres 3 metres x 16 nos. = 48 metres 5 metres x 8 nos. = 40 metres (112m + 48m + 40m) = 200 metres KINDLY REFER DRAWING FOR FURTHER REFERENCE	200	METRES	MRARKHAN	30



CHAIN LINK

DIMENSIONS TABLE	
DIMENSION	MEASUREMENT IN MILIMETER
'ØA'	28 ±1
'B'	40 ±1
'C'	110 ±1
'D'	96 ±1
'E'	166 ±1



ISO 9001-2015

MUMBAI PORT AUTHORITY
MECHL. & ELECT. ENGG. DEPARTMENT

SUBJECT: MOT JAWAHAR DWEEP

TITLE:
**CHAIN LINK FOR FENDER AT
JAWAHAR DWEEP**

DRAWN:S.V.LONDHE DATE:06-06-2024 SCALE: N.T.S

PREPARE BY:Mr.T.BHOGALE CHECKED BY :Mr.C.NIRMAL

APPROVED BY: *[Signature]*
Mr. ANJAN KUMAR MAITI
Dy. CHIEF MECHANICAL ENGINEER

DRG. NO.

BIM-128/B

NOTE-
ALL DIMENSIONS ARE IN MM
[Signature] IDLR Certificate