
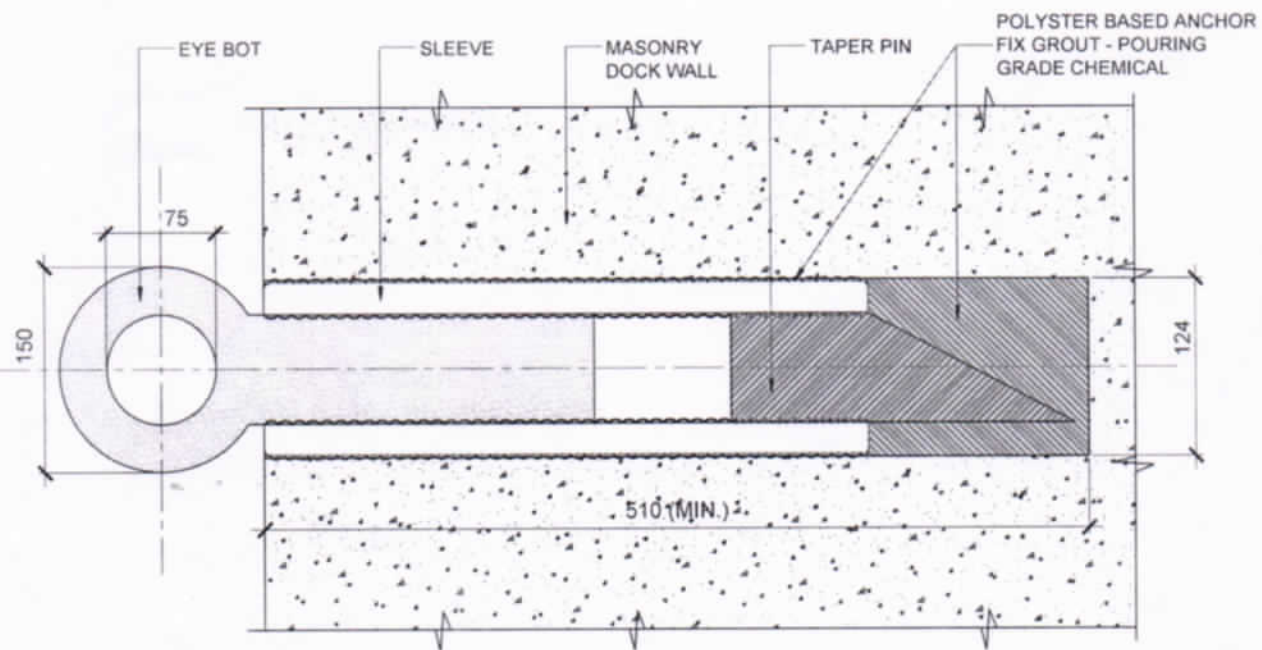
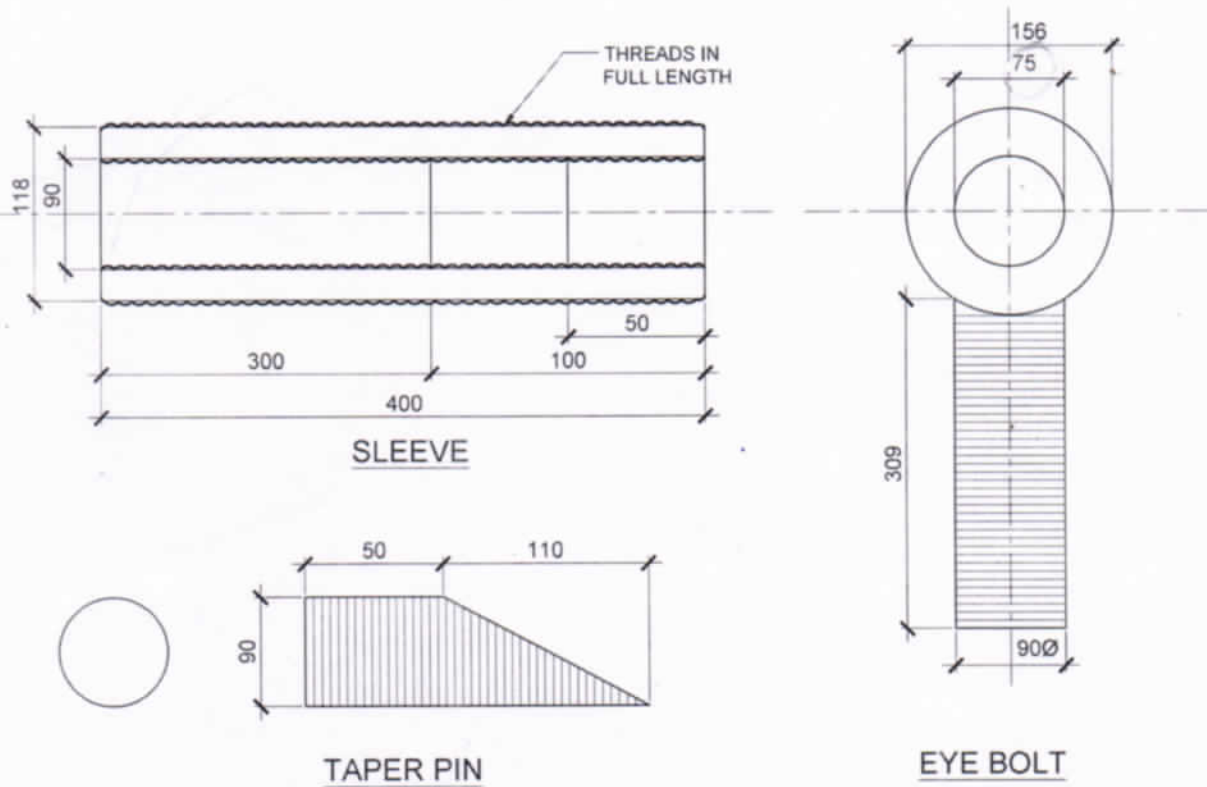


CROSS SECTION OF CHEMICAL BOLT SYSTEM AFTER FIXING TO DOCK WALL

NOTE - 1. MINIMUM CHEMICAL THICKNESS AROUND SLEEVE SHOULD BE 2 mm
 2. ALL DIMENSION ARE IN mm.

	मुंबई पोर्ट ट्रस्ट MUMBAI PORT TRUST	DETAILS OF 50MM SLEEVE WITH CHEMICAL ANCHOR BOLT NO 1		DRAWN	SCALE	EE(D)	SE(D)
	CIVIL ENGINEERING DEPARTMENT			VPA	NTS		
					DRG.NO. 11 / 2019		



CROSS SECTION OF CHEMICAL BOLT SYSTEM AFTER FIXING TO DOCK WALL

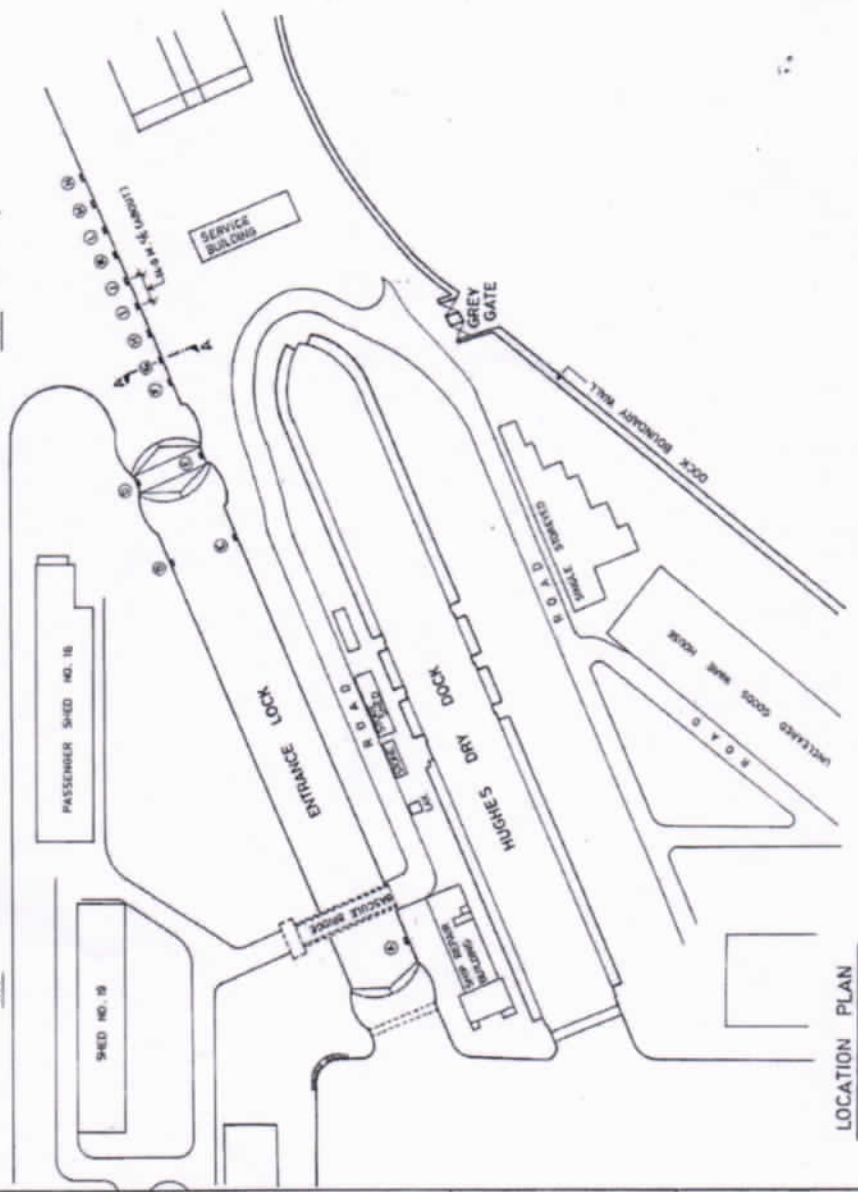
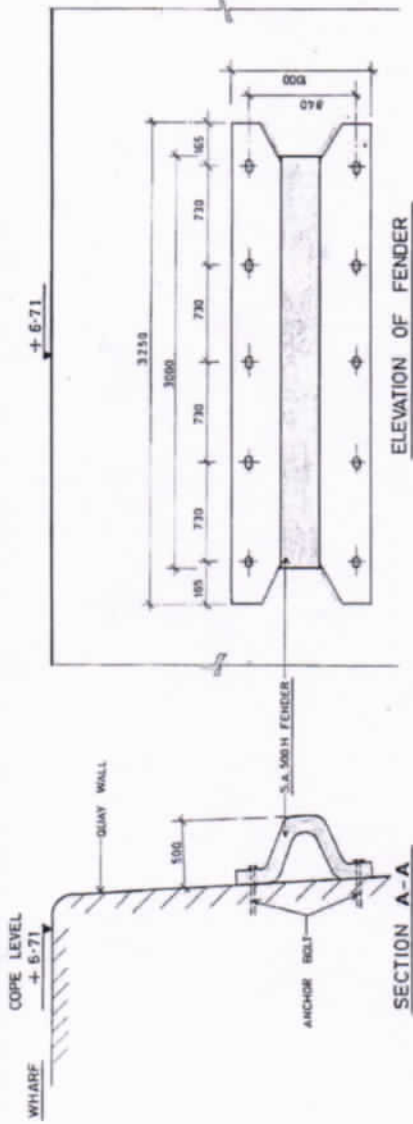
NOTE - 1. MINIMUM CHEMICAL THICKNESS AROUND SLEEVE SHOULD BE 3 mm
2. ALL DIMENSION ARE IN mm.



मुंबई पोर्ट ट्रस्ट
MUMBAI PORT TRUST
CIVIL ENGINEERING DEPARTMENT

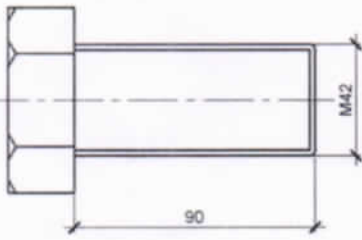
DETAILS OF SLEEVE WITH CHEMICAL ANCHOR BOLT NO 2

DRAWN	SCALE	EE(D)	SE(D)
VPA	NTS		
DRG.NO.		12 / 2019	

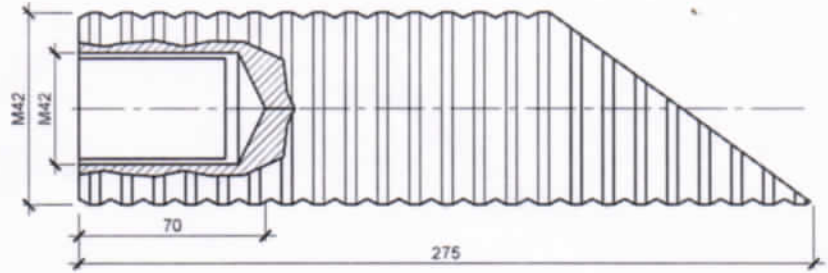


NOTES
 1. LEVEL OF THE FENDERS TO BE DECIDED AT THE TIME OF EXECUTION.
 2. ALL THE BOLTS OF STAINLESS STEEL UNLESS OTHERWISE SPECIFIED.
 3. LOCATION OF FENDER WILL BE ALTERED SUITABLY TO SUIT SITE CONDITIONS.
 4. FOR 44.5 mm OF ANCHOR BOLTS REFER DRG. NO. 61-2024

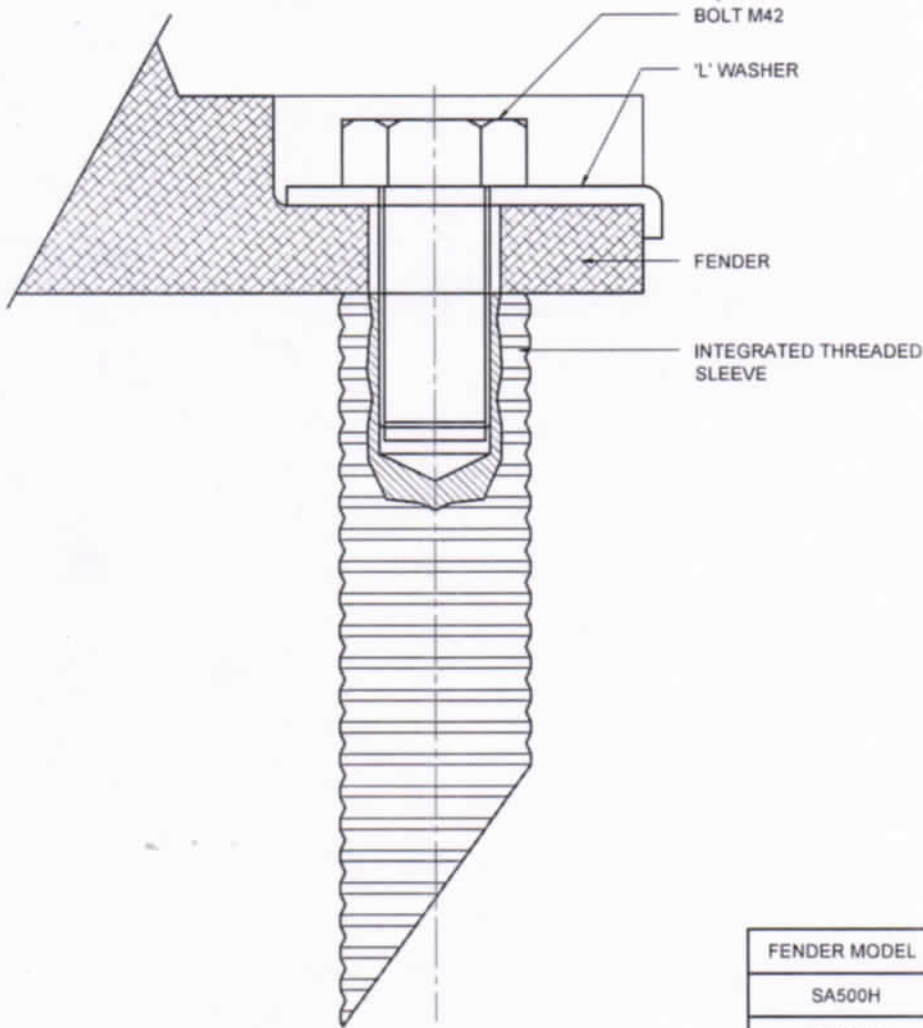
BOMBAY PORT TRUST	
INDIRA DOCK	
TITLE: PROVIDING S.A. 500 H FENDERS IN ENTRANCE LOCK IN REPLACEMENT OF DAMAGED FENDERS.	
NO. OF SHEETS	NO. OF SHEETS
DATE	DATE
DESIGNED BY	CHECKED BY
DRAWN BY	APPROVED BY
SCALE	SCALE
DATE	DATE
DRG. NO. 10-3963/1997	



HEX BOLT - M42



INTEGRATED THREADED SLEEVE - M42



FENDER MODEL	BOLT SIZE	QTY.
SA500H	M42	
SM500H	M42	

INTEGRATED THREADED SLEEVE WITH BOLT ASSEMBLY

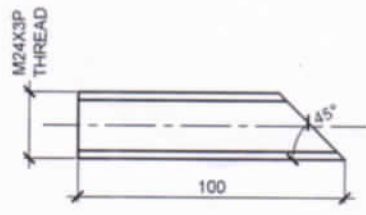
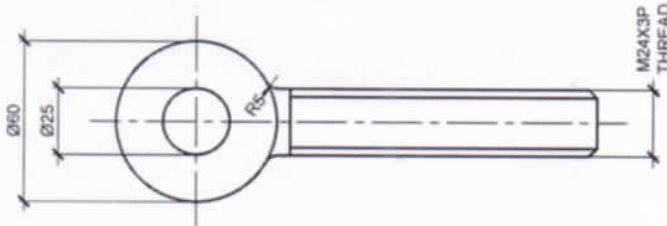
NOTE - 1. MINIMUM CHEMICAL THICKNESS AROUND SLEEVE SHOULD BE 2 mm
2. ALL DIMENSION ARE IN mm.



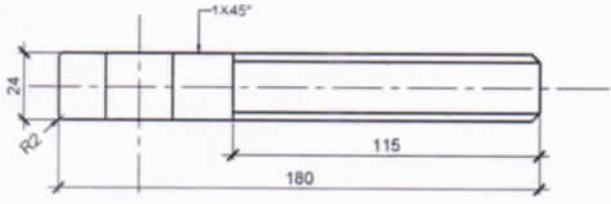
मुंबई पोर्टन प्राधिकरण
MUMBAI PORT AUTHORITY
CIVIL ENGINEERING DEPARTMENT

TITLE:
DETAILS OF M42
CHEMICAL ANCHOR BOLT NO 1

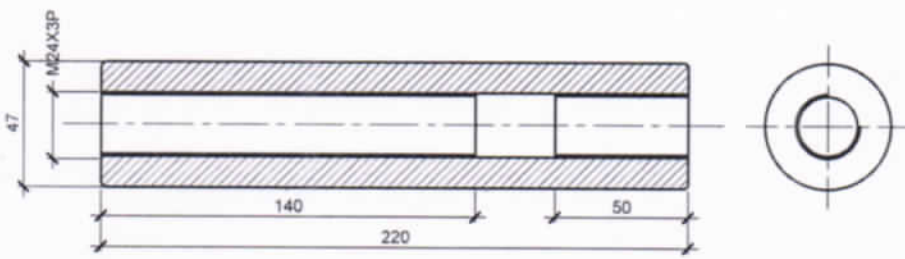
DRAWN	SCALE	EE (M)	SE (M)
VPA	1:2		
DRG.NO.		01 / 2024	



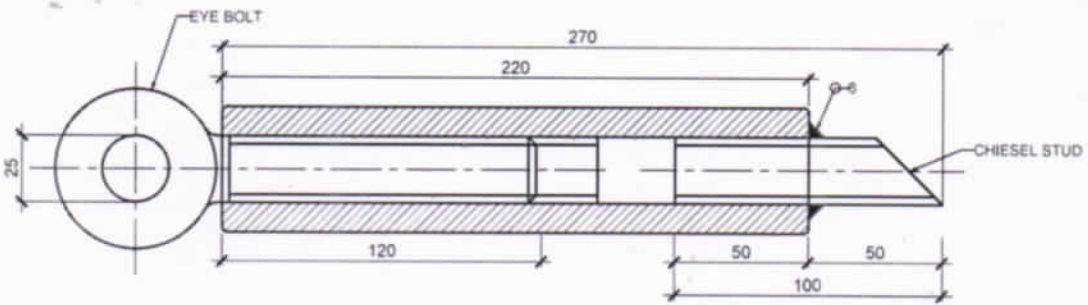
CHIESEL STUDO M24 X 3P X100LG
 MATERIAL : CS (HDG / ZINC PLATED)



EYE BOLT M24 X 3P X120LG
 MATERIAL : SS304



SLEEVE Ø47 X220LG
 MATERIAL : SS304



EYE BOLT ASSEMBLY



मुंबई पोर्ट अथॉरिटी
 MUMBAI PORT AUTHORITY
 CIVIL ENGINEERING DEPARTMENT

TITLE
 DETAILS OF M24 EYE BOLT

DRAWN	SCALE	EE	SE
VPA	1:2		
DRG.NO.		02 / 2024	

Dy. CE
 02/24

