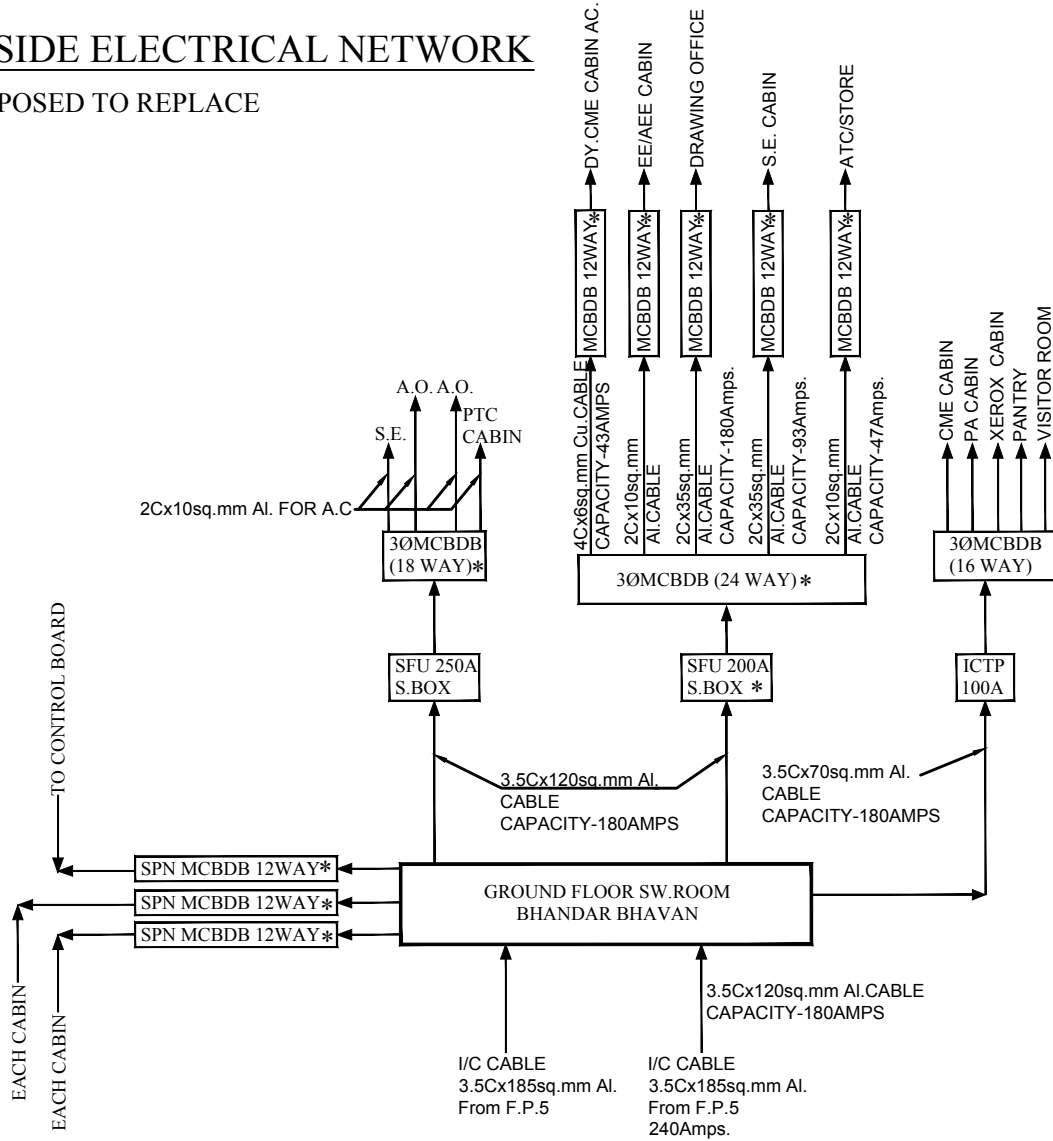


LEFT SIDE ELECTRICAL NETWORK

* PROPOSED TO REPLACE



TENDER NO.MEED.26/2023



MUMBAI PORT AUTHORITY
MECHL. & ELECT. ENGG. DEPARTMENT

SUBJECT: BHANDAR BHAVAN

TITLE:
Renovation of 3rd Floor New Bhandar Bhavan and Shifting Of MEED Office From 5th and 6th Floor Nirman Bhawan to 3rd Floor New Bhandar Bhawan.

DRAWN:S.V.LONDHE | DATE:01-09-2023 | SCALE: N.T.S

DESIGNED BY: A.V. SANE | CHECKED BY: A.V. VISHWAKARMA

APPROVED BY:

R. DHARMARAJ
SUPERINTENDING ENGINEER

DRG.NO.

EDN-795/C